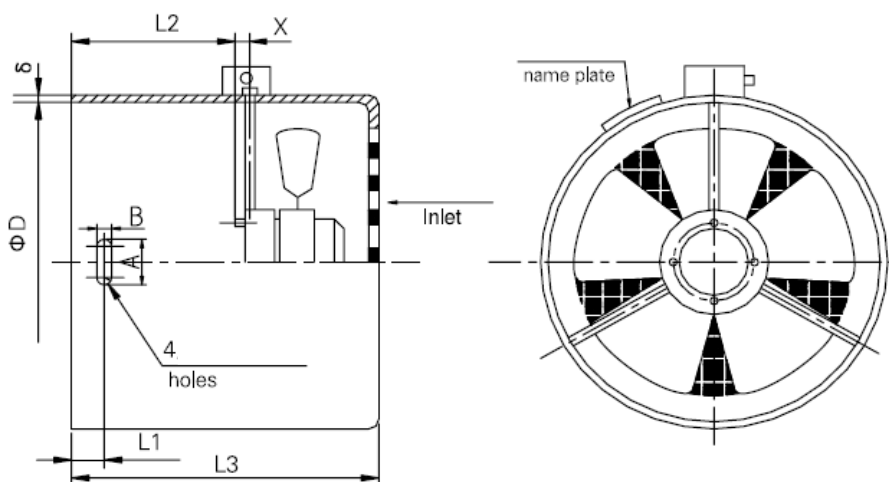


VENTILACIÓN FORZADA

Tamaños 63-132



Modelo	ϕD	L1	X	L2	L3	δ	A	B	n
G-63D3	121^{+1}_0	8 ± 1	7	67	157	1.2	12	6	4
G-71D3	138^{+1}_0	13 ± 1	7	77	167	1.2	12	6	4
G-80D3	154^{+1}_0	16.5 ± 1	7	93	183	1.5	12	6	4
G-90D3	173^{+1}_0	17 ± 1	7	100	192	1.5	12	6	4
G-100D3	196^{+1}_0	19 ± 1	10	98	198	1.5	14	7	4
G-112D3	219^{+1}_0	18.5 ± 1	10	103	203	1.5	14	7	4
G-132D3	256^{+1}_0	18.5 ± 1	10	122	229	1.5	14	7	4

Modelo		50 Hz				60 Hz			
		U (V)	I (A,max)	P (W)	n(rpm)	U (V)	I (A,max)	P (W)	n(rpm)
G-63D3	1 μF - 1 ~ Δ	230	0.10	20	2930	230	0.10	20	3480
	3 ~ Δ	230	0.10	25	2930	230	0.10	25	3490
	3 ~ Y	400	0.057	25	2930	400	0.06	25	3490
G-71D3	1 μF - 1 ~ Δ	230	0.12	25	2930	230	0.10	20	3480
	3 ~ Δ	230	0.12	30	2930	230	0.10	25	3490
	3 ~ Y	400	0.072	30	2930	400	0.06	25	3490
G-80D3	1 μF - 1 ~ Δ	230	0.11	20	2920	230	0.11	20	3470
	3 ~ Δ	230	0.11	25	2910	230	0.11	25	3480
	3 ~ Y	400	0.065	25	2910	400	0.065	25	3480
G-90D3	1 μF - 1 ~ Δ	230	0.1	20	2900	230	0.1	22	3460
	3 ~ Δ	230	0.1	25	2900	230	0.09	25	3470
	3 ~ Y	400	0.057	25	2900	400	0.05	25	3470
G-100D3	2 μF - 1 ~ Δ	230	0.3	55	2900	230	0.31	70	3440
	3 ~ Δ	230	0.3	70	2900	230	0.25	70	3460
	3 ~ Y	400	0.175	70	2900	400	0.15	70	3460
G-112D3	2 μF - 1 ~ Δ	230	0.33	75	2890	230	0.40	95	3410
	3 ~ Δ	230	0.33	85	2890	230	0.30	95	3450
	3 ~ Y	400	0.175	85	2890	400	0.17	100	3450
G-132D3	2 μF - 1 ~ Δ	230	0.35	50	1430	230	0.27	55	1716
	3 ~ Δ	230	0.35	55	1430	230	0.28	55	1716
	3 ~ Y	400	0.21	55	1430	400	0.17	55	1716

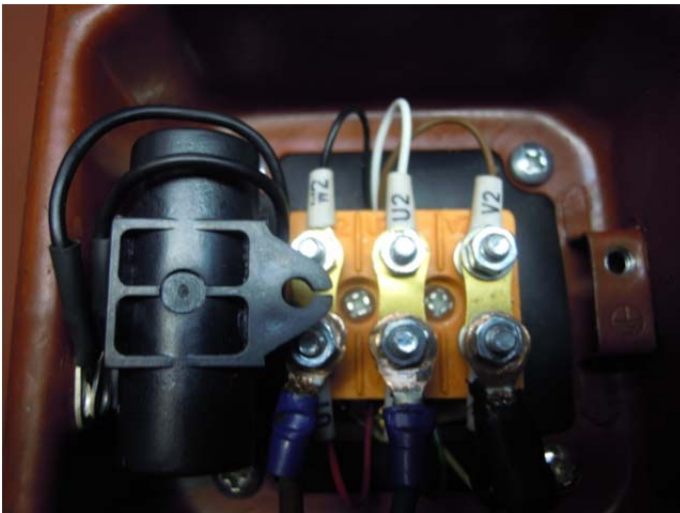
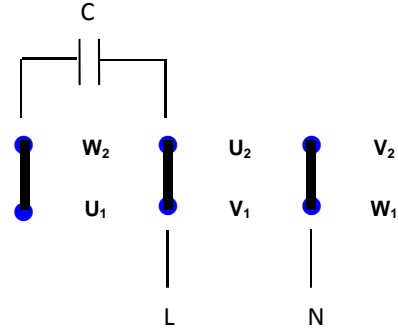
CAUTION

Pay attention to terminal connection cables
ERROR IN CONNECTION MAY DAMAGE THE MOTOR



SINGLE-PHASE CONNECTION 230 V 50 Hz / 230 V 60 Hz

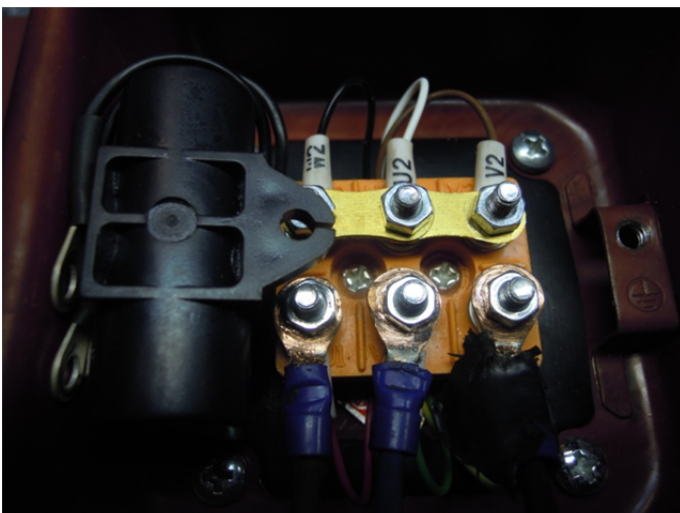
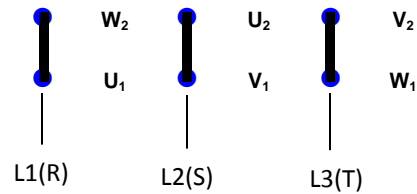
- 1.- Connect bridges in Δ connection.
- 2.- Connect the condenser to U2 and W2 terminals.
- 3.- Connect the motor according the graph.



THREE-PHASE Δ DELTA CONNECTION 230 V 50 Hz / 230 V 60 Hz

CAUTION: Verify that condenser is **NOT** connected

Connect the motor according the graph.



THREE-PHASE Y STAR CONNECTION 400 V 50 Hz / 400 V 60 Hz

CAUTION: Verify that condenser is **NOT** connected

Connect the motor according the graph.

